

Name: _____

Phone: _____

School/Organization: _____

E-mail: _____

Dealer/Rep: _____

Sales Rep: _____ Quote: _____

STOR-EDGE™ CABINET GROUPINGS

STANDARD FEATURES:

- Available in wood or laminate finishes
- 1 Adjustable shelf in each cabinet
- 110° Euro hinges on doors
- Black wire pull handles
- Full extension drawers glides

- High pressure laminate countertop with backsplash
- Black toe-kick plate
- Mounting hardware not supplied
- Cabinets ship individually without countertop installed- assembly and installation required on site

STANDARD GROUPINGS: *Cabinets ship individually without countertop installed. Assembly and installation required on site.

SEMCG1

Overall dimensions:
49"W x 18"D x 36"H

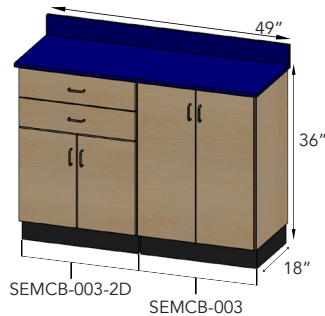
QTY: _____

(1) SEMCB-003-2D

49"W x 18"D x 36"H
(1) Adjustable Shelf
(2) Hinged Doors
(2) 5.5" Drawers

(1) SEMCB-003

24"W x 18"D x 36"H
(1) Adjustable Shelf
(2) Hinged Doors



SEMCG2

Overall top dimensions:
36"W x 12"D x 24"H
Overall bottom dimensions:
37"W x 18"D x 36"H

QTY: _____

(1) SEMCB-003-2D

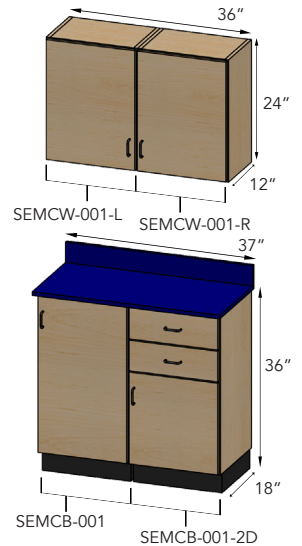
24"W x 18"D x 36"H
(1) Adjustable shelf
(2) Hinged doors
(2) 5.5" Drawers

(1) SEMCB-003

24"W x 18"D x 36"H
(1) Adjustable shelf
(2) Hinged doors

(2) SEMCW-003

24"W x 12"D x 24"H
(1) Adjustable shelf
(2) Hinged doors



SEMCG3

Overall top dimensions:
48"W x 12"D x 24"H
Overall bottom dimensions:
49"W x 18"D x 36"H

QTY: _____

(1) SEMCB-003-2D

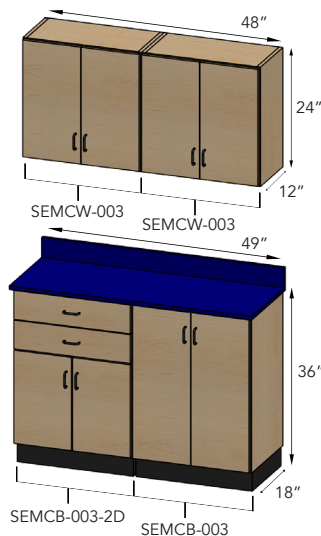
24"W x 18"D x 36"H
(1) Adjustable shelf
(2) Hinged doors
(2) 5.5" Drawers

(1) SEMCB-003

24"W x 18"D x 36"H
(1) Adjustable shelf
(2) Hinged doors

(2) SEMCW-003

24"W x 12"D x 24"H
(1) Adjustable shelf
(2) Hinged doors



SEMCG4

Overall top dimensions:
48"W x 12"D x 24"H
Overall bottom dimensions:
72"W x 18"D x 36"H

QTY: _____

(1) SEMCB-003-1D

24"W x 18"D x 36"H
(1) Adjustable shelf
(2) Hinged doors
(1) 5.5" Drawers

(1) SEMB-330

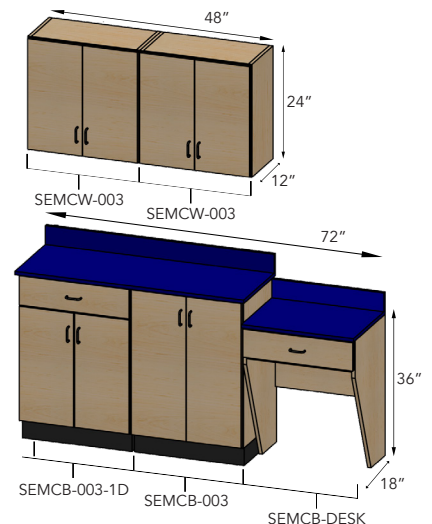
24"W x 18"D x 36"H
(1) Adjustable shelf
(2) Hinged doors

(2) SEMCW-003

24"W x 12"D x 24"H
(1) Adjustable shelf
(2) Hinged doors

(1) SEMCB-DESK

(1) 5.5" Drawers



Name: _____

Phone: _____

School/Organization: _____

E-mail: _____

Dealer/Rep: _____

Sales Rep: _____ Quote: _____

OPTIONS:

- Lock1004** - Lock on Single Door
- Lock Double Door** - Lock on Double Door
- Lock1001** - Lock on Drawer (Not Available with Flush Mount Handles)
- TSFO-FHDR** - Flush Mount Handles on Drawers
- TSFO-FHD** - Flush Mount Handles on Doors
- TSFO-FHSD** - Flush Mount Handles - Single Door (18"W or 24"W)

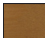
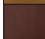
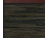
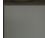

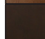

STANDARD WOOD CHOICES:

-  Oak
-  Maple


WOOD STAIN OPTIONS:

- MOD-Stain**

CUSTOM STAIN CHOICES:

-  Warm Copper
-  Deep Garnet
-  Fossil Gray
-  Tungsten
-  Rustic Fall
-  Warm Caramel
-  Black Beauty
- Custom Wood Stain Color: _____

STANDARD LAMINATE CHOICES:

-  Oak
-  Maple
-  Cherry Merlot
-  Espresso
-  Grey
-  Storm Grey
-  Harbor Grain
-  Black

STANDARD COUNTERTOP CHOICES:

-  Brittany Blue
-  Navy Blue
-  Burgundy
-  North Sea Grey
-  Black
-  Royal Blue
-  Red
-  Hunter Green
-  Slate Grey



CUSTOM BRANDING:

- Decal Custom Small**
Small Logo Decal (6"W x 6"H) 
- Decal Custom Large**
Large Logo Decal (12"W x 12"H) 

