

Name:	
School/Organization:	
Dealer/Rep:	

Phone:	
E-mail:	
Sales Rep:	Quote:

STOR-EDGE™

MEDICAL BASE CABINETS

STANDARD FEATURES:

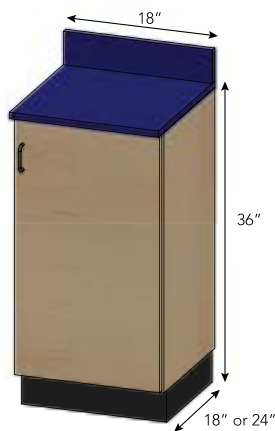
- Available in wood or laminate finishes
- (1) Adjustable shelf in each doored cabinet (not available in sink cabinets)
- 110° Euro hinges on doors
- Full extension drawers glides
- Black wire pull handles
- Right or left hinges available on single door cabinets
- High pressure laminate countertop with backsplash
- Black toe-kick plate
- Some assembly required (backsplash ships unattached)



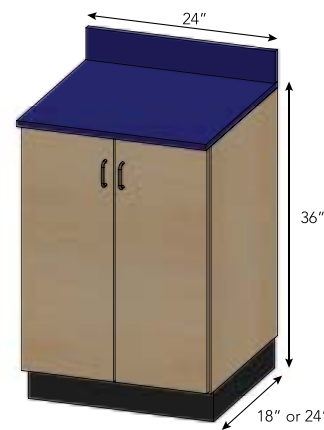
SEMCB-003-2D

CABINET CONFIGURATIONS:

SEMCB-001 18"W x 18"D x 36"H (1) Adjustable Shelf (1) Hinged Door
QTY:
Right Hinged Left Hinged
SEMCB-002 18"W x 24"D x 36"H (1) Adjustable Shelf (1) Hinged Door
QTY:
Right Hinged Left Hinged



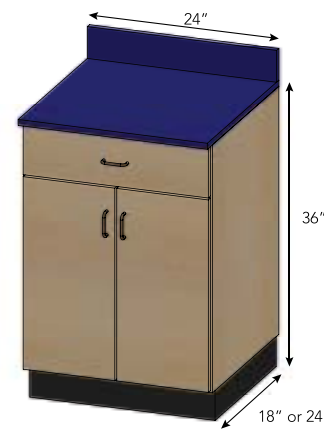
SEMCB-003 24"W x 18"D x 36"H (1) Adjustable Shelf (2) Hinged Doors
QTY:
SEMCB-004 24"W x 24"D x 36"H (1) Adjustable Shelf (2) Hinged Doors
QTY:



SEMCB-001-1D 18"W x 18"D x 36"H (1) Adjustable Shelf (1) Hinged Door (1) 5.5" Drawer
QTY:
Right Hinged Left Hinged
SEMCB-002-1D 18"W x 24"D x 36"H (1) Adjustable Shelf (1) Hinged Door (1) 5.5" Drawer
QTY:
Right Hinged Left Hinged



SEMCB-003-1D 24"W x 18"D x 36"H (1) Adjustable Shelf (1) Hinged Door (1) 5.5" Drawer
QTY:
SEMCB-004-1D 24"W x 24"D x 36"H (1) Adjustable Shelf (1) Hinged Door (1) 5.5" Drawer
QTY:



CABINET CONFIGURATIONS:

SEM CB-001-2D 18"W x 18"D x 36"H (1) Adjustable Shelf (1) Hinged Door (2) 5.5" Drawers	
QTY:	
Right Hinged	Left Hinged
SEM CB-002-2D 18"W x 24"D x 36"H (1) Adjustable Shelf (1) Hinged Door (2) 5.5" Drawers	
QTY:	
Right Hinged	Left Hinged



SEM CB-003-2D 24"W x 18"D x 36"H (1) Adjustable Shelf (2) Hinged Doors (2) 5.5" Drawers	
QTY:	
SEM CB-004-2D 24"W x 24"D x 36"H (1) Adjustable Shelf (2) Hinged Doors (2) 5.5" Drawers	
QTY:	



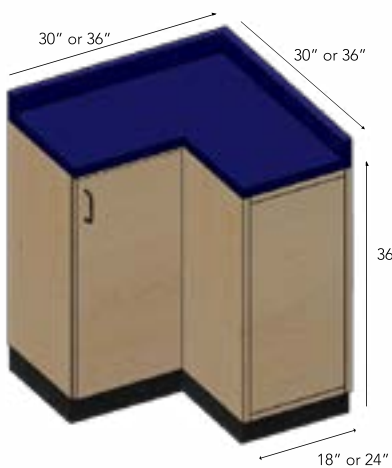
SEM CB-003-Sink 24"W x 18"D x 36"H (2) Hinged Doors Sink Kit (Assembly Required)	
QTY:	
SEM CB-004-Sink 24"W x 24"D x 36"H (2) Hinged Doors Sink Kit (Assembly Required)	
QTY:	



SEM CB-001-5D 18"W x 18"D x 36"H (5) 6" Drawers	
QTY:	
SEM CB-002-5D 18"W x 24"D x 36"H (5) 6" Drawers	
QTY:	
SEM CB-003-5D 24"W x 18"D x 36"H (5) 6" Drawers	
QTY:	
SEM CB-004-5D 24"W x 24"D x 36"H (5) 6" Drawers	
QTY:	



SEM CB-005 30"W x 18"D x 36"H "L" Corner Unit (1) Adjustable Shelf (1) Hinged Door	
QTY:	
Right Hinged	Left Hinged
SEM CB-008 36"W x 24"D x 36"H "L" Corner Unit (1) Adjustable Shelf (1) Hinged Door	
QTY:	
Right Hinged	Left Hinged



SEM CB-021 30"W x 18"D x 36"H Corner Unit (1) Adjustable Shelf (1) Hinged Door	
QTY:	
Right Hinged	Left Hinged
SEM CB-022 36"W x 24"D x 36"H Corner Unit (1) Adjustable Shelf (1) Hinged Door	
QTY:	
Right Hinged	Left Hinged



Cabinets ship individually without countertop installed. Assembly and installation required on site.

CONTINUOUS RUN OPTIONS:

Continuous Countertop Please supply a floor plan/ room layout showing cabinets.
Continuous Toe-Kick Black Laminate



OPTIONS:

Lock1004 - Lock on Single Door
Lock Double Door - Lock on Double Door
Lock1001 - Lock on Drawer (not available with flush mount handles)
TSFO-FHDR - Flush Mount Handles on Drawers
TSFO-FHD - Flush Mount Handles on Doors
TSFO-FHSD - Flush Mount Handles - Single Door (18"W or 24"W)

STANDARD WOOD CHOICES:

	Oak
	Maple

WOOD STAIN OPTIONS:

MOD-Stain

STANDARD STAIN CHOICES:

	Warm Copper
	Deep Garnet
	Fossil Gray
	Tungsten

	Rustic Fall
	Warm Caramel
	Black Beauty
Custom Wood Stain Color:	

STANDARD LAMINATE CHOICES:

	Oak
	Maple
	Cherry Merlot
	Espresso

	Grey
	Storm Grey
	Harbor Grain
	Black

STANDARD COUNTERTOP CHOICES:

	Brittany Blue
	Navy Blue
	Burgundy
	North Sea Grey
	Black

	Royal Blue
	Red
	Hunter Green
	Slate Grey

CUSTOM BRANDING:

<p>Decal Custom Small Small Logo Decal (6"W x 6"H)</p> 	<p>Decal Custom Large Large Logo Decal (12"W x 12"H)</p> 
---	---

Cabinets ship individually without countertop installed. Assembly and installation required on site.